

SI 26

Two-Way Surface Mount Speakers with 6.5" Woofer



System INTEGRATOR
S P E A K E R S E R I E S



DESCRIPTION

The Extron **SI 26** two-way surface mount speaker features a ferrofluid-cooled, aluminum dome tweeter coupled to an Extron exclusive conical horn design for minimum phase shift and a flat response over the mid- and high-frequency ranges. Harsh tonal qualities due to cancellation in portions of the frequency range caused by phase shifting are all but eliminated with this new conical horn design. A long-throw woofer with large magnets provides solid low-frequency response. A new approach to crossover design assures a smooth transition from bass through midrange to the high frequencies, delivering optimum voice and music reproduction. An input power-limiting protection circuit is included for preventing woofer and tweeter damage due to overdriving.

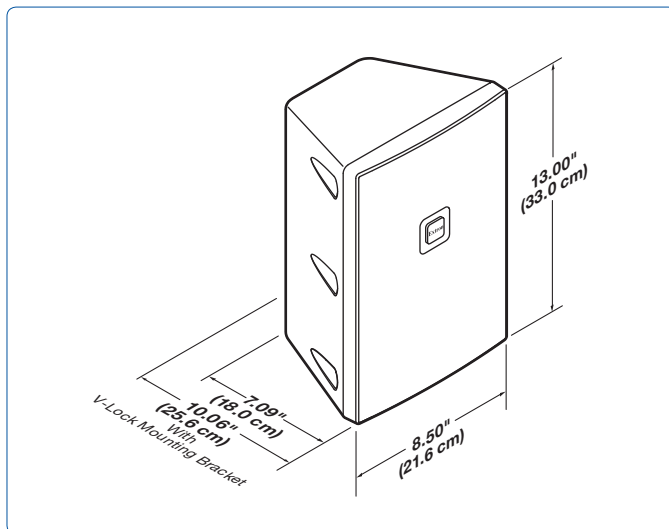
FEATURES

- Exclusive conical horn design
- 8 ohm nominal impedance
- 1" (2.5 cm) ferrofluid-cooled, aluminum dome tweeter
- 6.5" (16.5 cm) long-throw woofer with dual tuned bass reflex ports
- Frequency response: 70 Hz to 20 kHz
- 75 watts continuous pink noise, 150 watts continuous program
- Exclusive V-Lock® mounting system included
- Internal driver overload protection
- Black or white high-impact, weather-resistant enclosure
- Grille and enclosure can be painted to match environment
- 5 year parts and labor warranty

SPECIFICATIONS

AUDIO/ACOUSTIC AND ELECTRICAL	
Frequency range	70 Hz to 20 kHz, -10 dB, full space
Power capacity	75 W continuous pink noise 150 W continuous program
Nominal sensitivity	90 dB SPL, 1W, 1m, full space
Nominal impedance	8 ohms
Crossover frequency	2.3 kHz
Woofer	(1) 6.5" (165 mm) polypropylene cone with moisture resistant coating
Tweeter	(1) 1.0" (25 mm) aluminum dome
Overload protection	Full range power limiter, protecting the tweeter, woofer, and crossover
Input connector	(1) 2-pin spring terminal
GENERAL	
Package	2 speakers (1 pair)
Mounting	Wall mountable with included wall mountable V-lock brackets
Enclosure type	Plastic, trapezoidal, with metal grille and bass reflex ports
Enclosure outer dimensions	13.0" H x 8.5" W x 7.1" D (33.0 cm H x 21.6 cm W x 18.0 cm D)
Product weight	Single: 11 lbs (5 kg)
Shipping weight	Pair: 30 lbs (14 kg) with mounting kit package
Warranty	5 years parts and labor

For complete specifications, please go to www.extron.com



MODEL	VERSION DESCRIPTION	PART #
SI 26	Surface Mount - 6.5" Woofer, Black, Pair	42-072-02
SI 26	Surface Mount - 6.5" Woofer, White, Pair	42-072-03